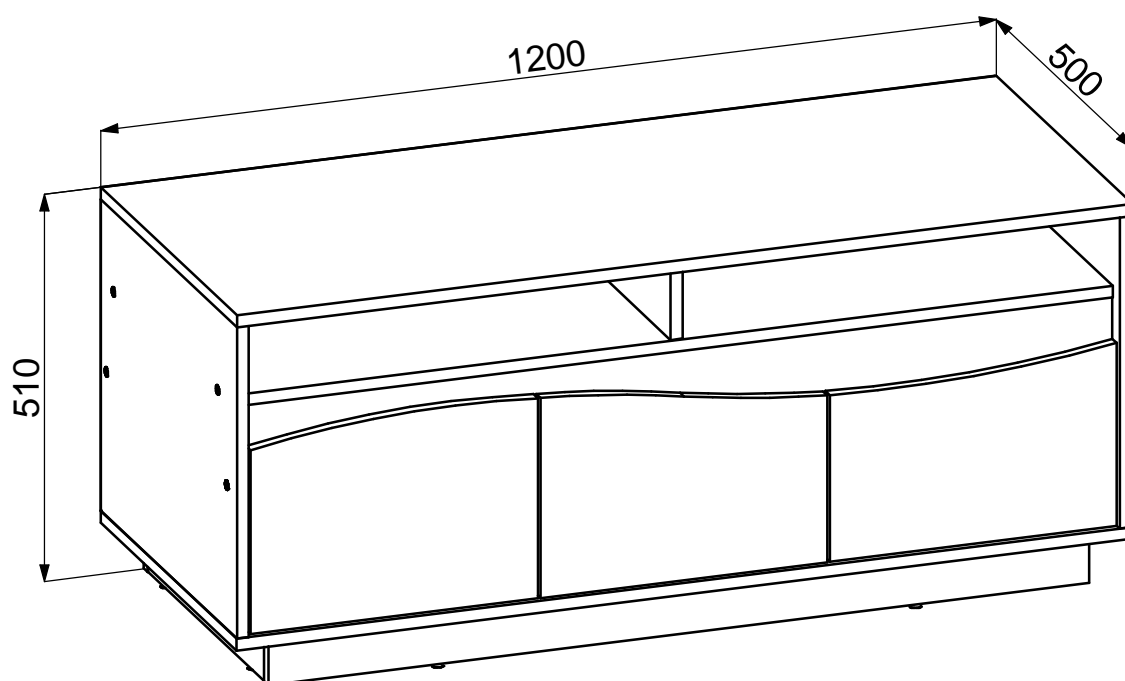
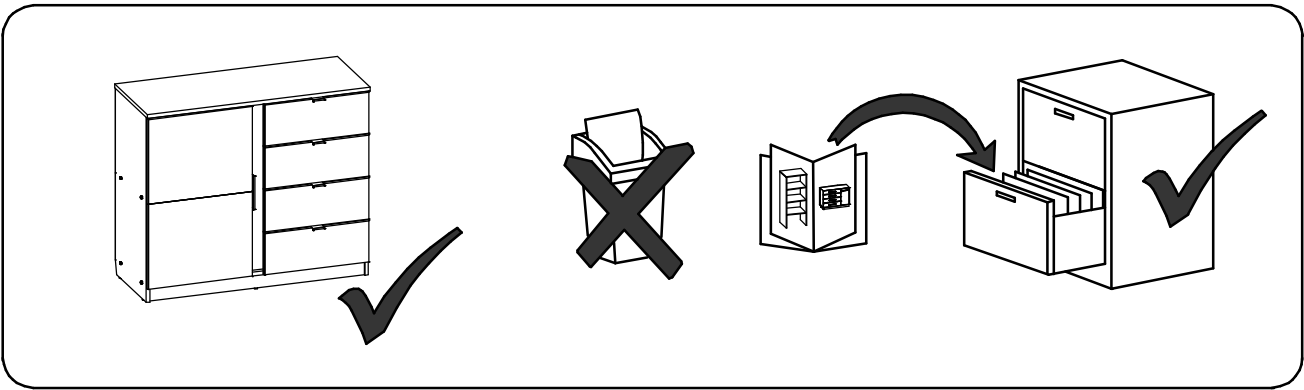
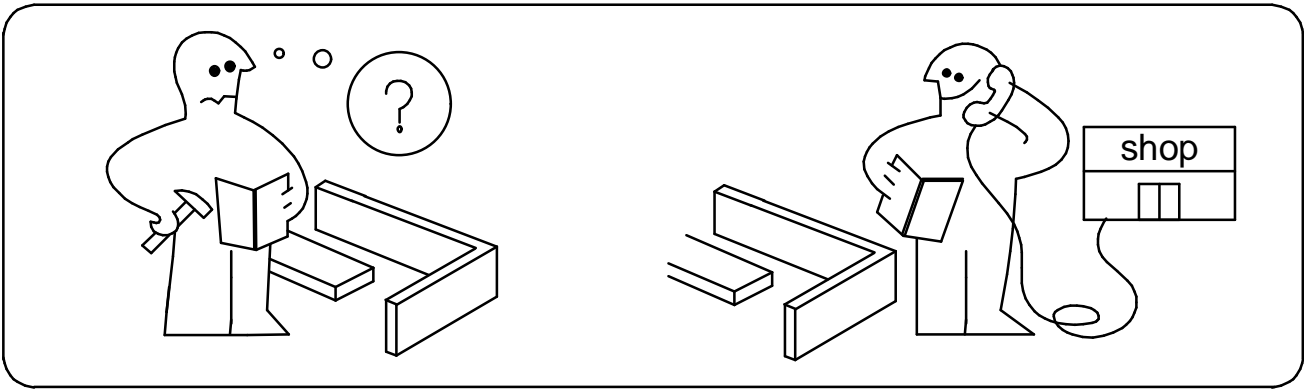
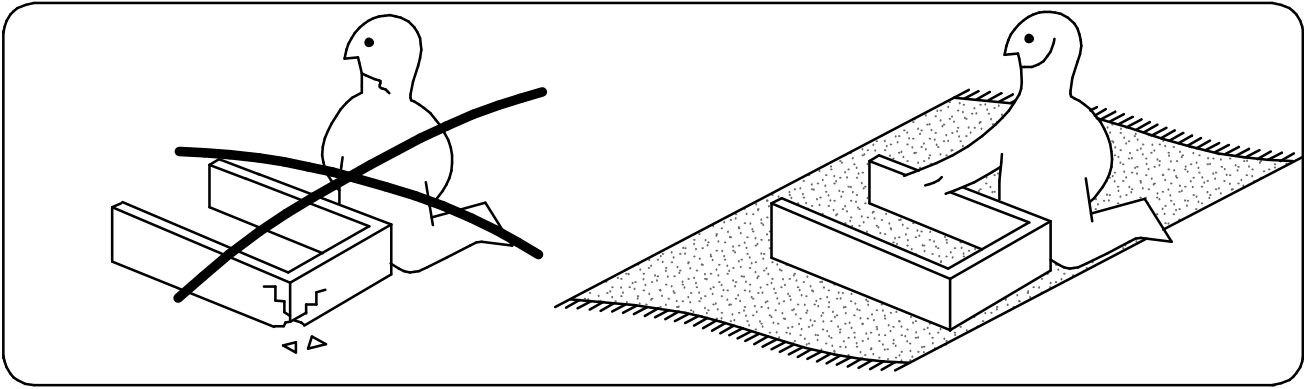
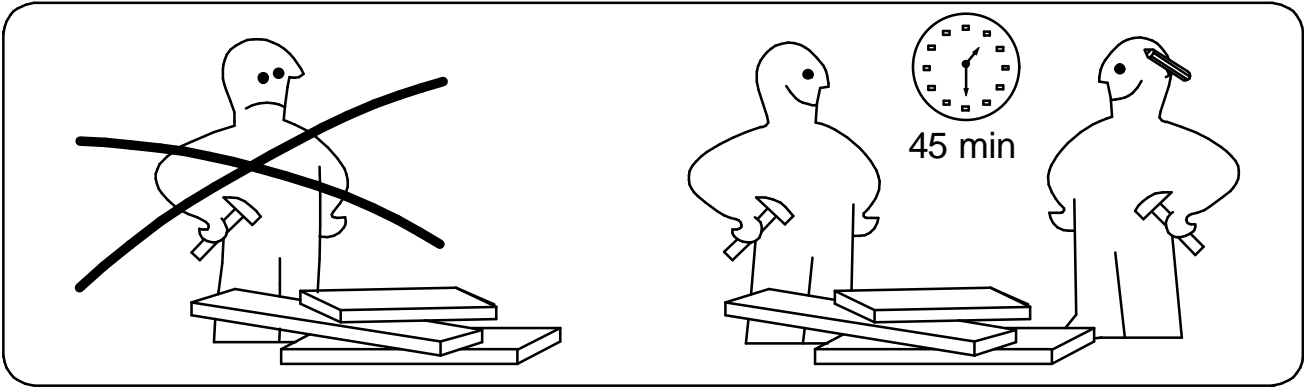
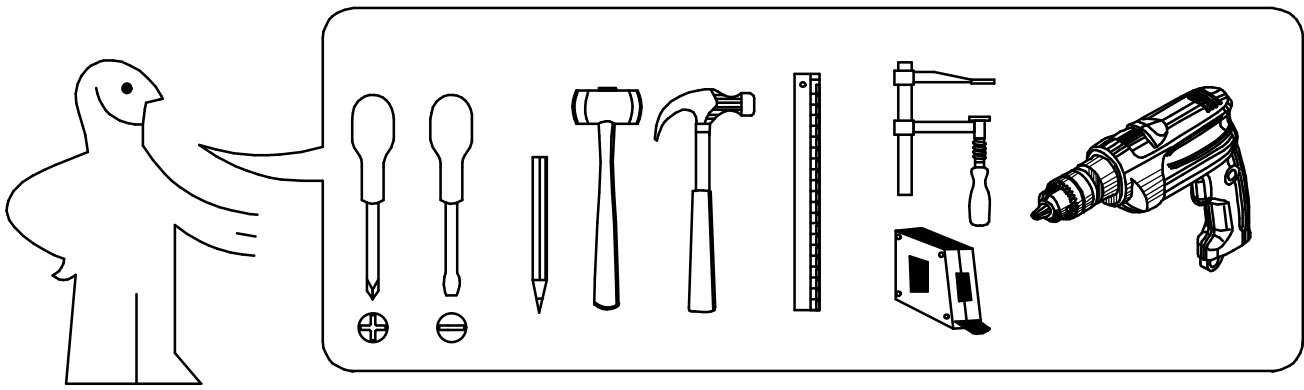
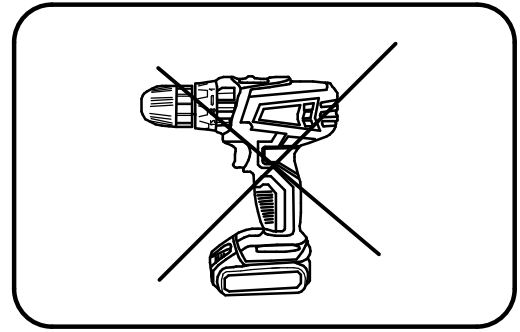
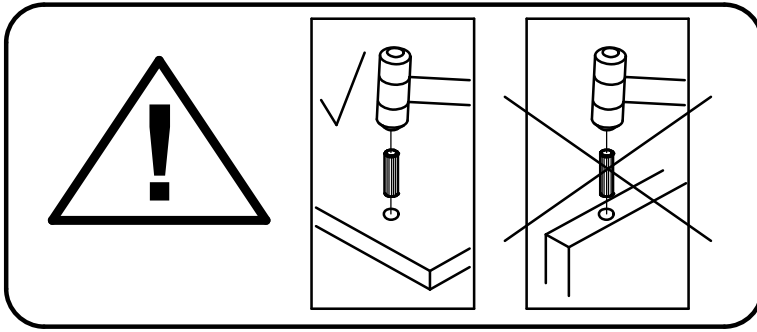




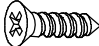

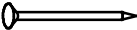
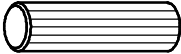
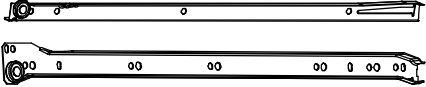




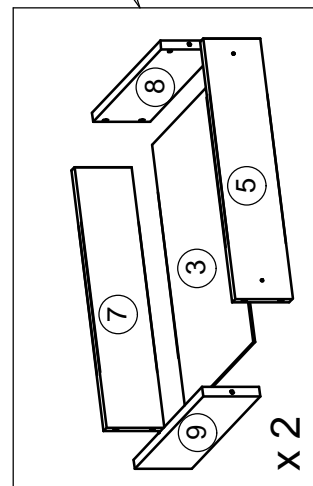
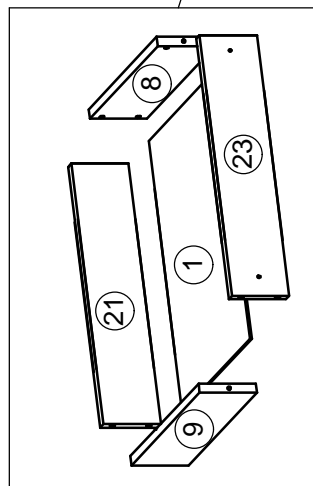
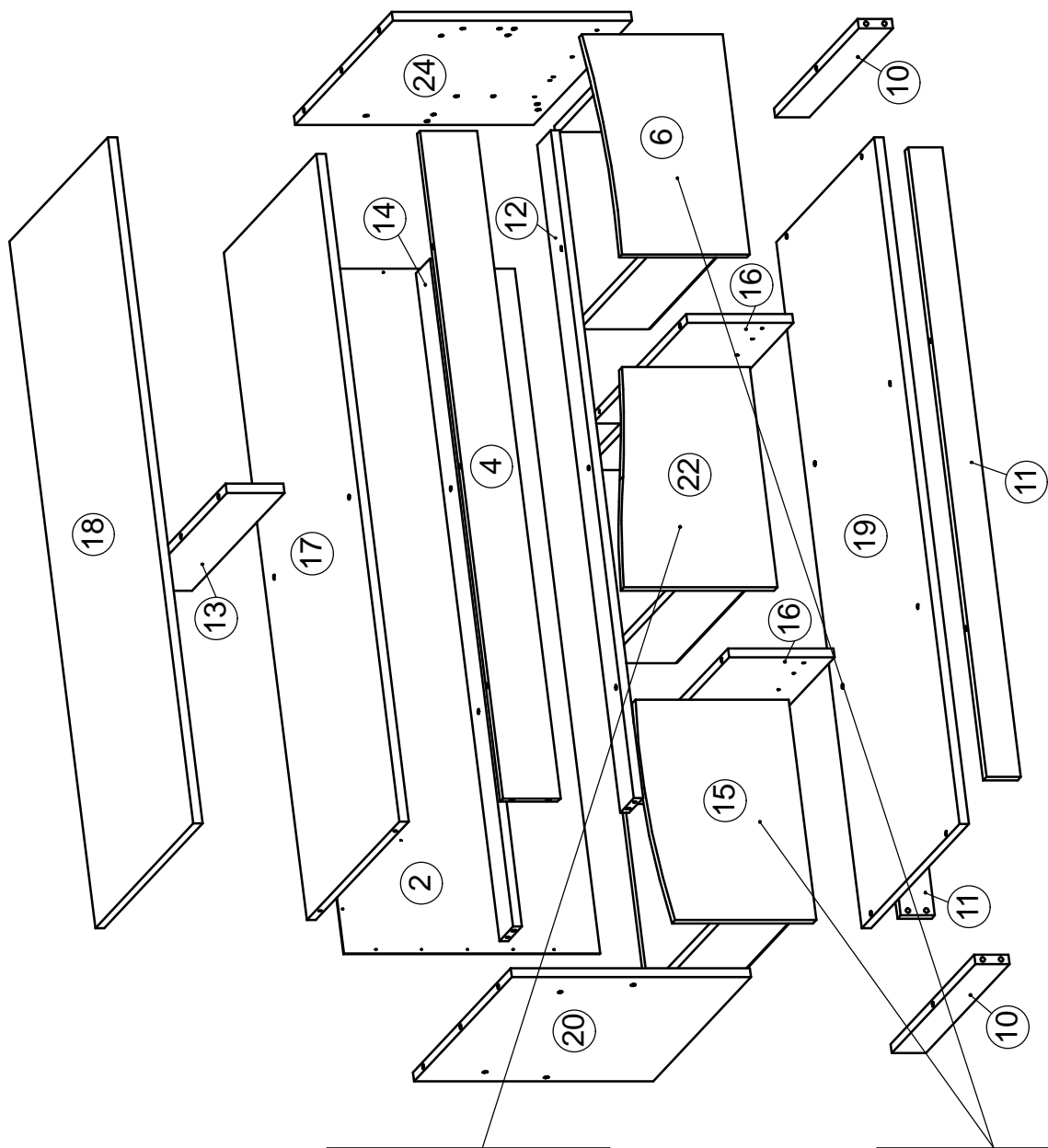
ТВ Шкаф Виела





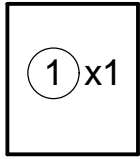


 Ø6,3x50 mm A1 x 25	 Ø12 mm A2 x 25	 4 mm A3 x 1	 Ø3x16 mm D1 x 18	 Ø4x16 mm D2 x 18
 Ø4x30 mm D3 x 6	 Ø1,6x25 mm F x 128	 Ø8x36 mm G x 64	 K x 3	
 Ø15 mm N x 8	 50g R x 1			

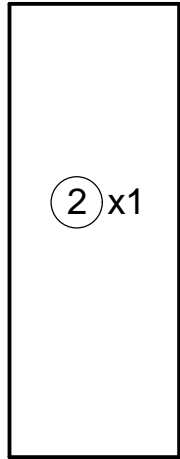


Box 1

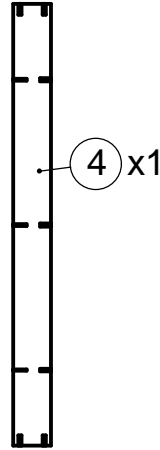
346x398x3 mm



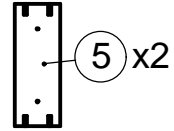
448x1198x3 mm



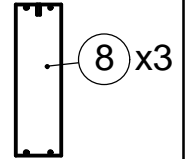
100x1168x16 mm



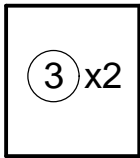
323x120x16 mm



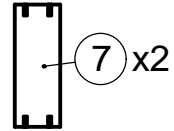
400x120x16 mm



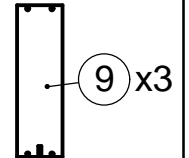
353x398x3 mm



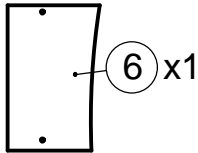
323x120x16 mm



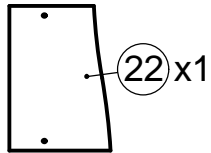
400x120x16 mm



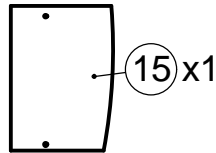
245x384x16 mm



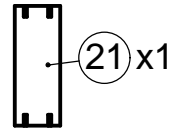
267x384x16 mm



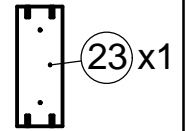
271x384x16 mm



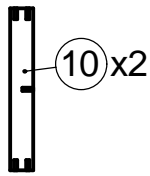
316x120x16 mm



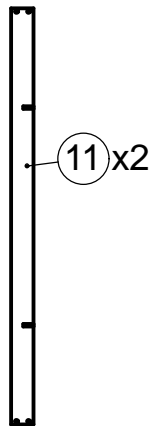
316x120x16 mm



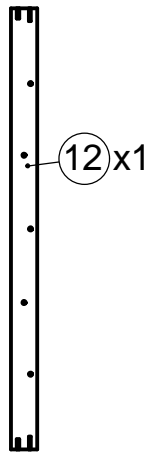
60x428x16 mm



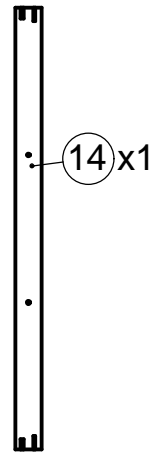
60x1100x16 mm



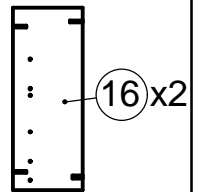
70x1168x16 mm



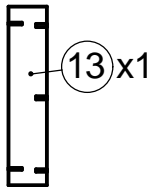
70x1168x16 mm



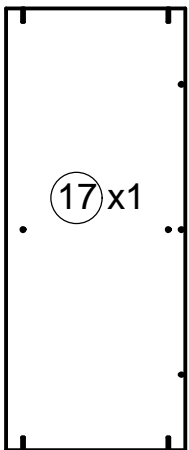
185x482x16 mm



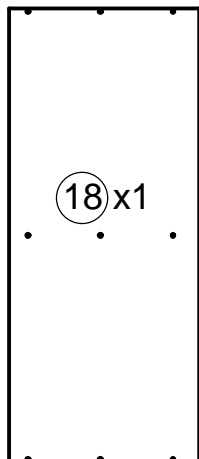
101x472x16 mm



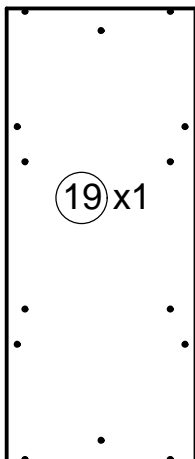
1168x474x16 mm



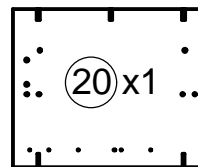
1200x500x16 mm



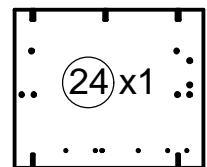
1200x500x16 mm



418x500x16 mm

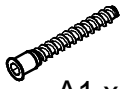


418x500x16 mm



Fittings & Tools

1



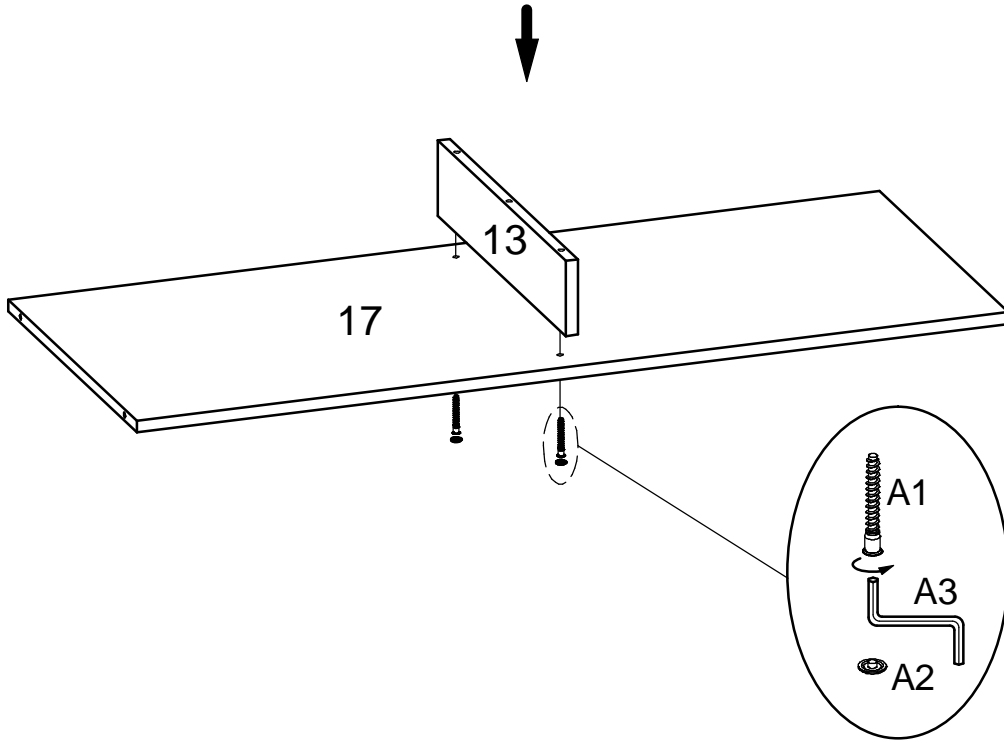
A1 x 2



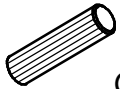
A2 x 2



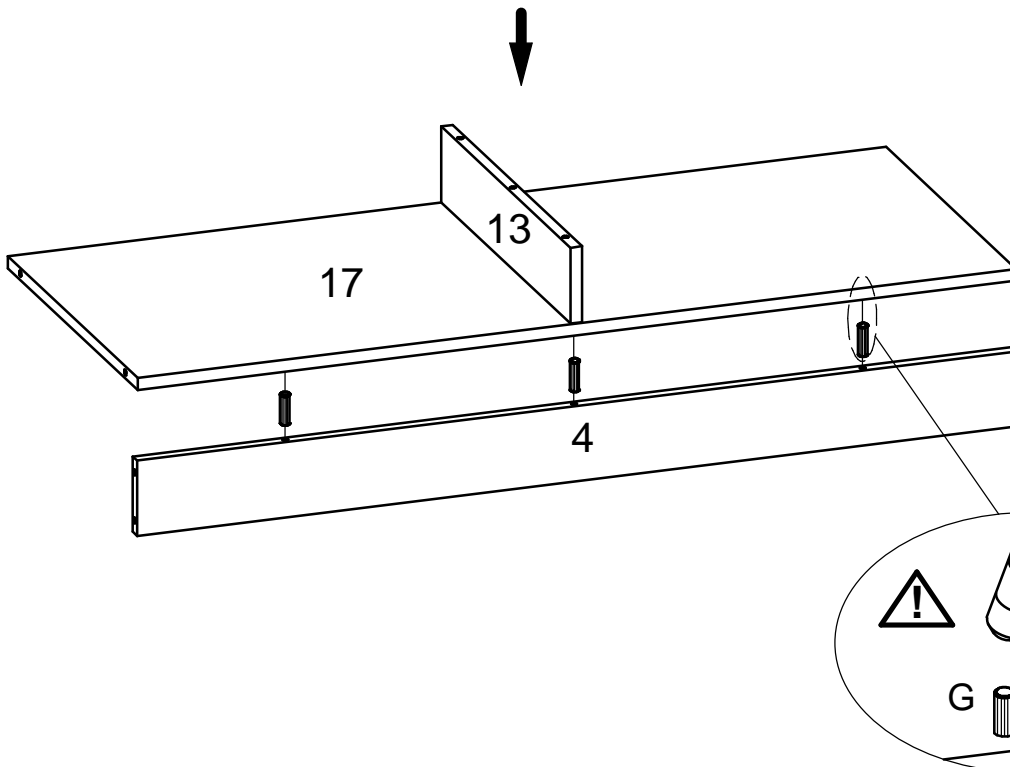
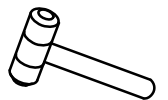
A3 x 1



2



G x 3



3



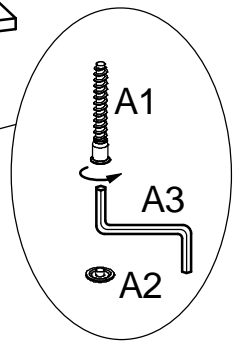
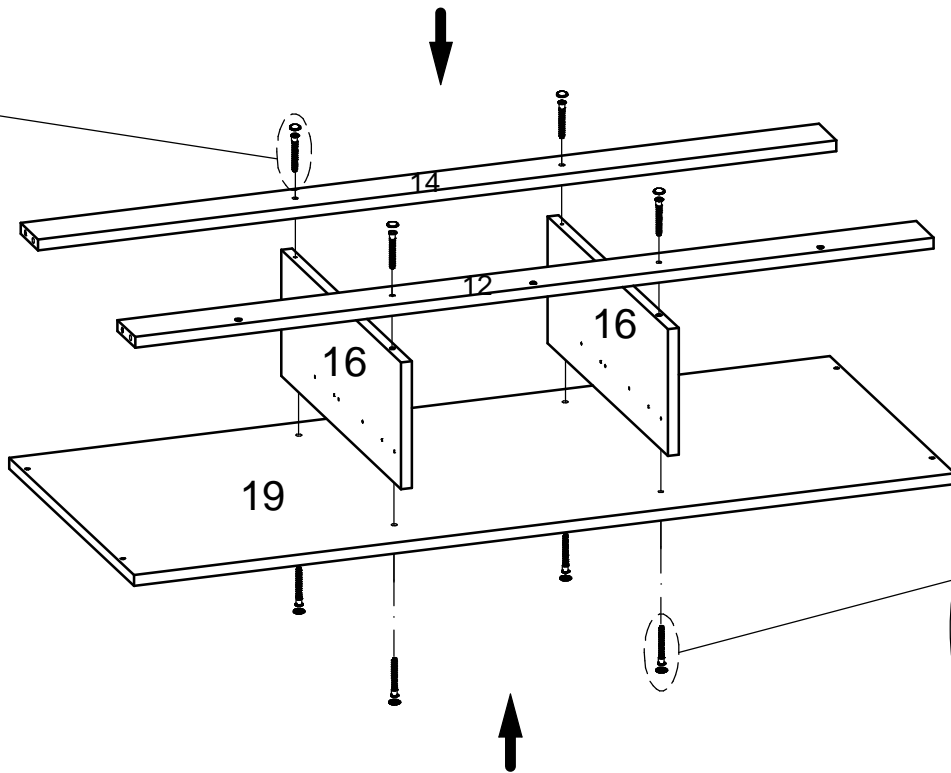
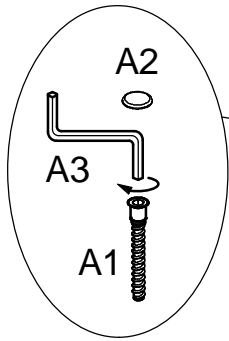
A1 x 8



A2 x 8



A3 x 1



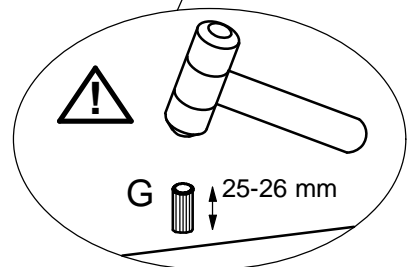
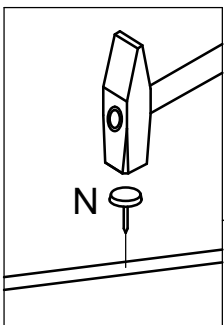
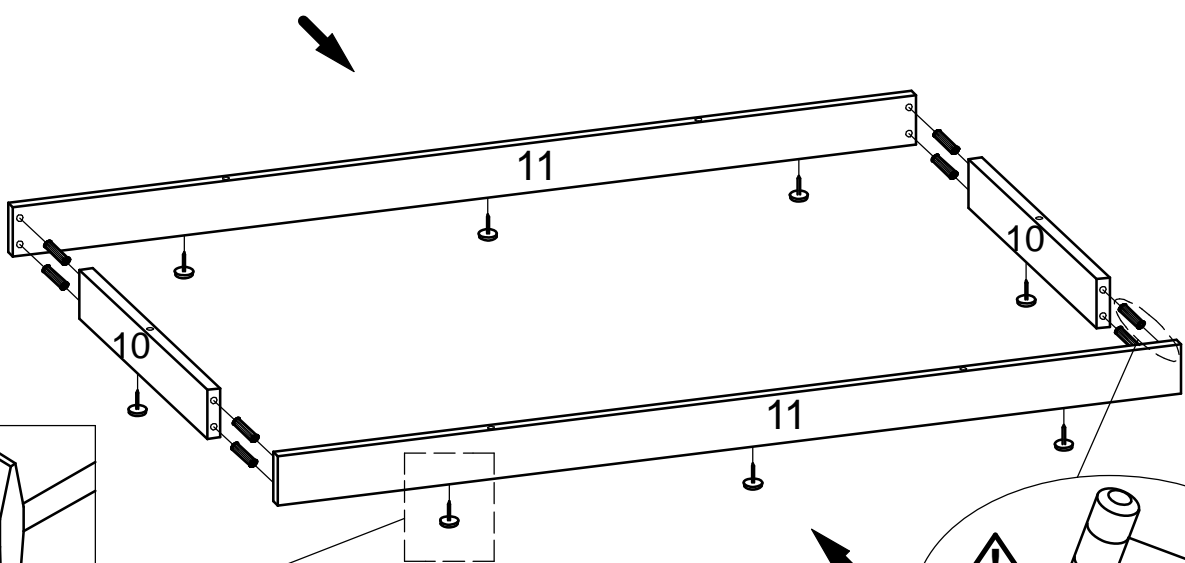
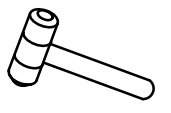
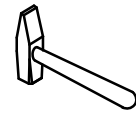
4



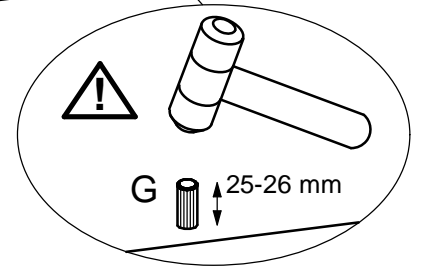
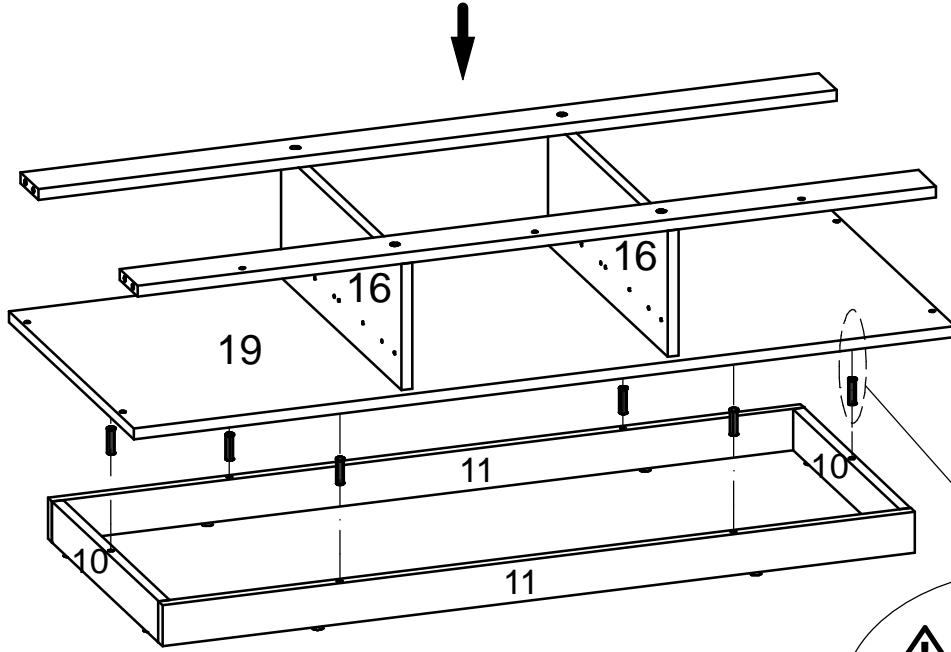
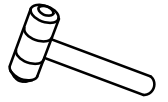
G x 8



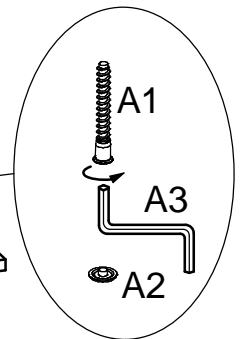
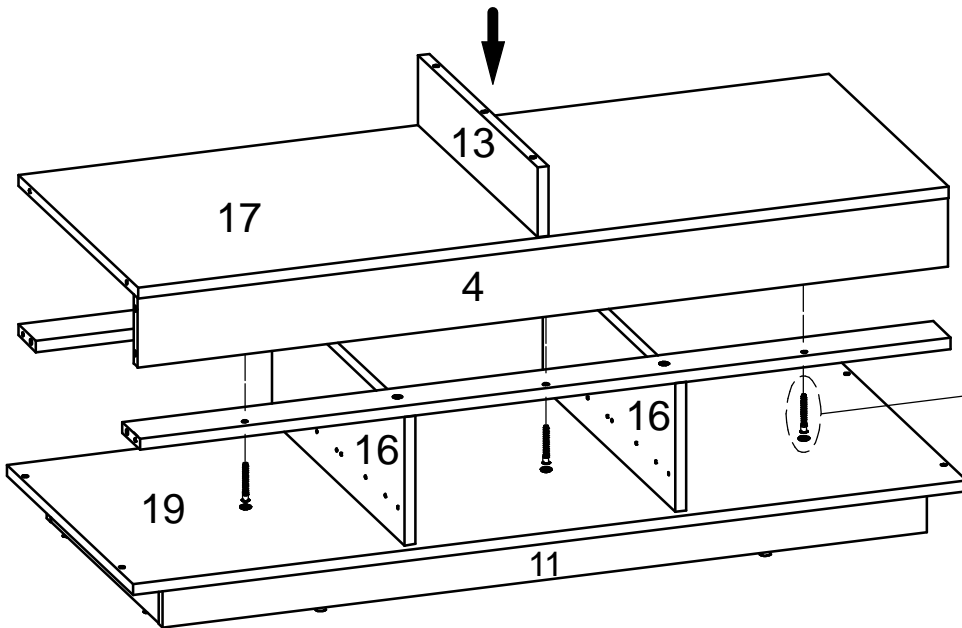
N x 8



5



6



7



A1 x 8



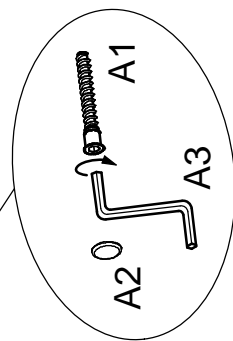
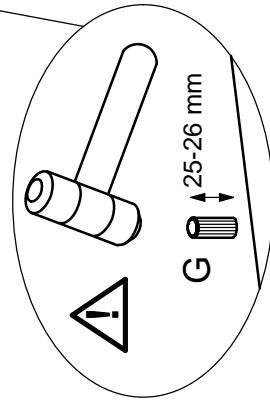
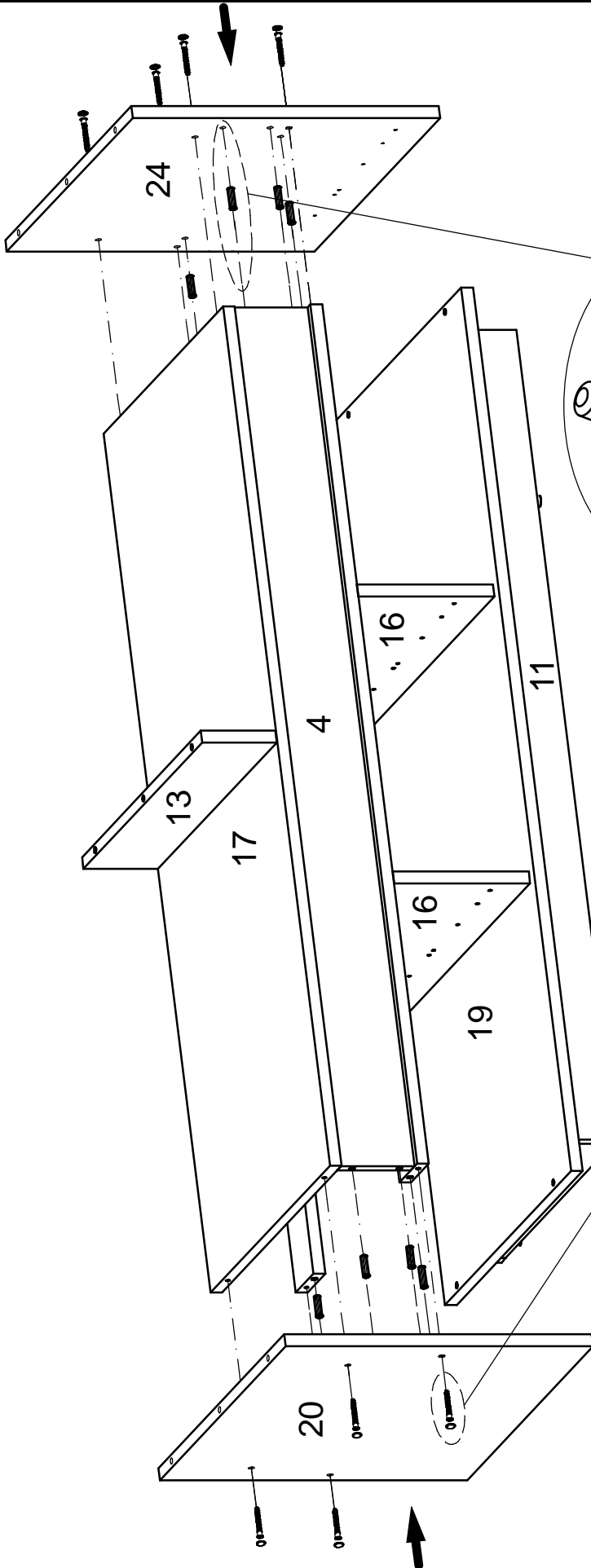
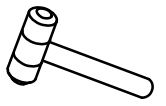
A2 x 8



A3 x 1

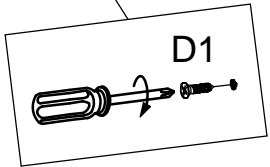
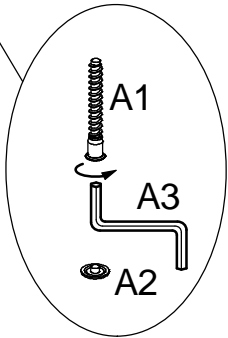
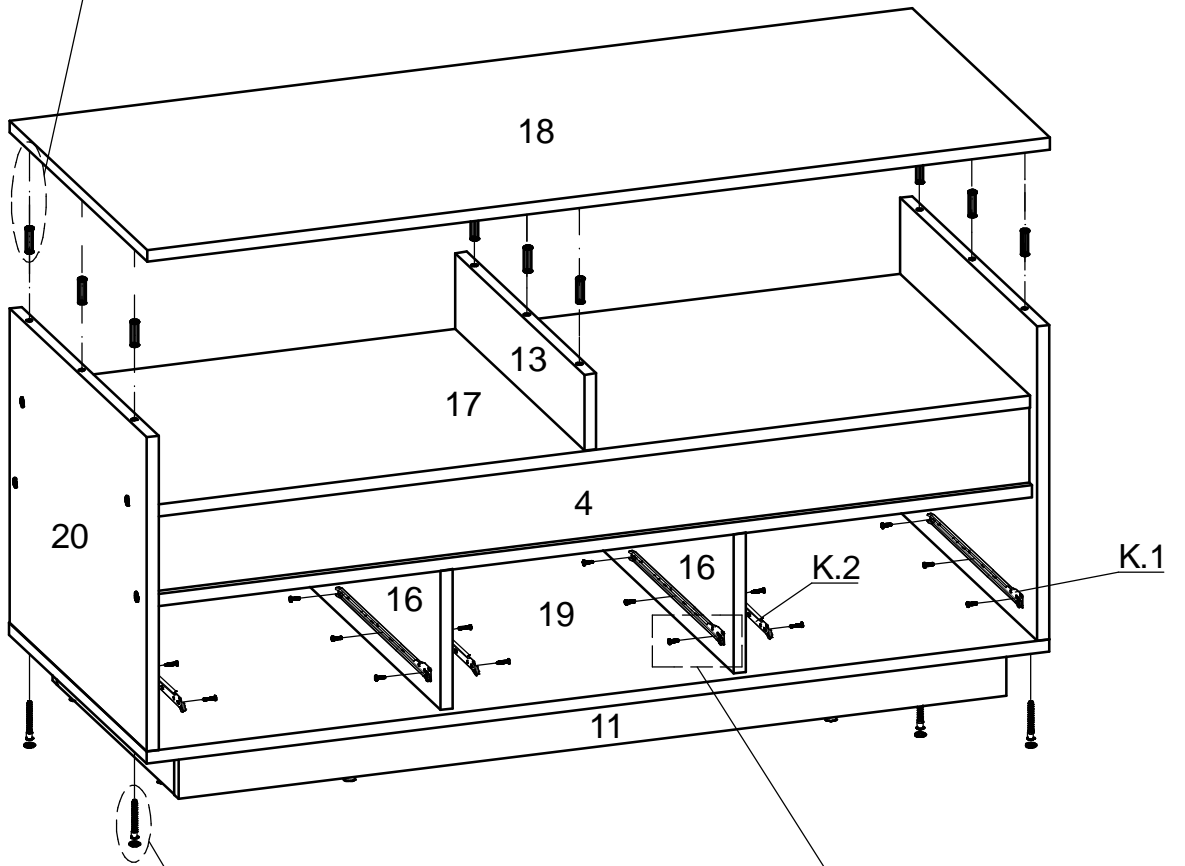
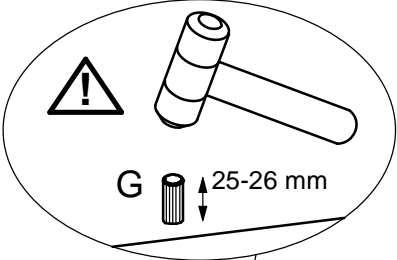
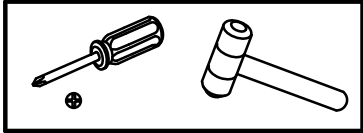


G x 8

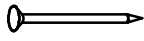


8

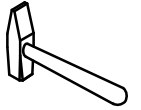
- A1 x 4
- A2 x 4
- A3 x 1
- D1 x 18
- K.1 x 3
- K.2 x 3
- G x 9




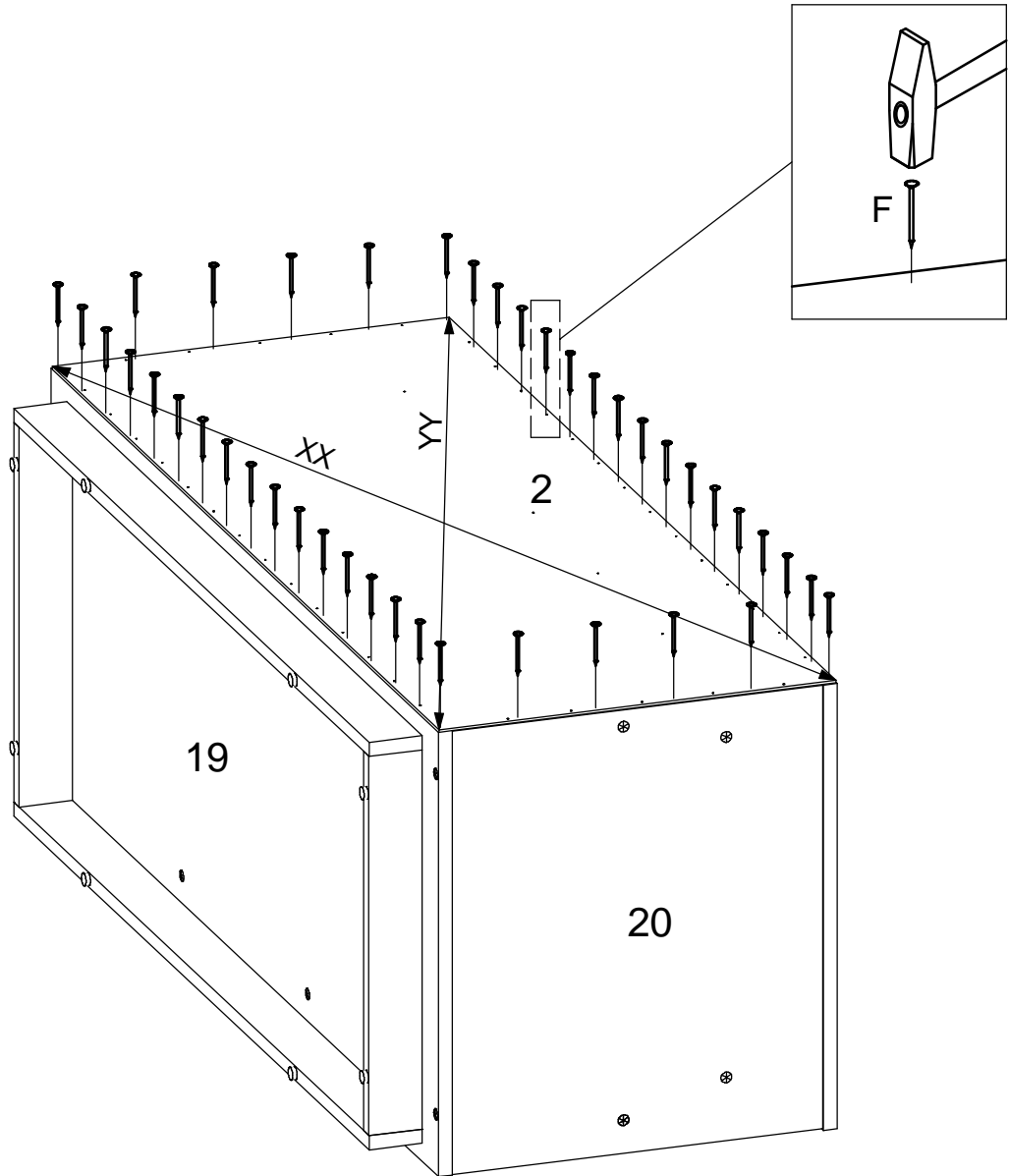
9



F x 52



 $XX=YY\equiv 90^\circ$



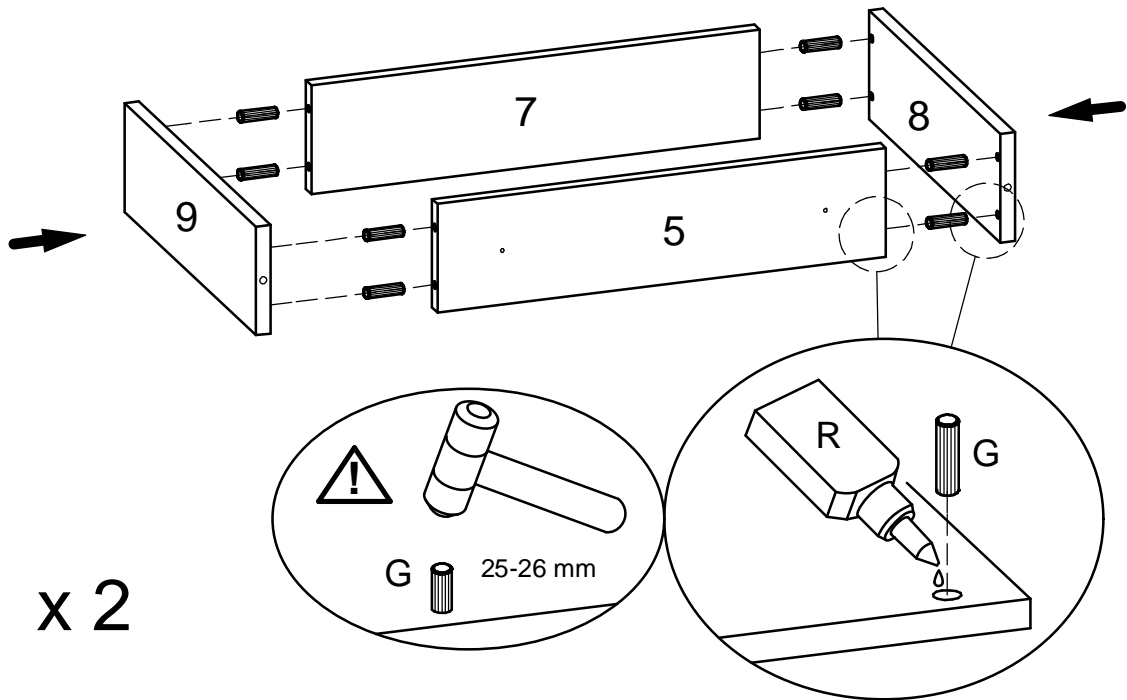
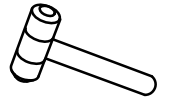
10



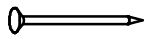
G x 16



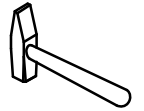
R x 1



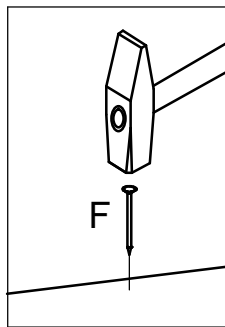
11



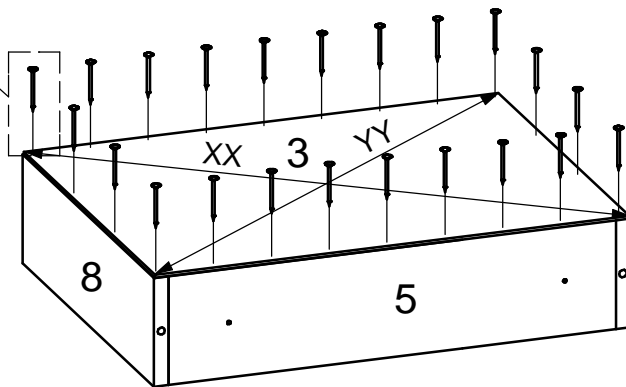
F x 52



! $XX=YY \cong 90^\circ$



F

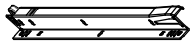


x 2

12



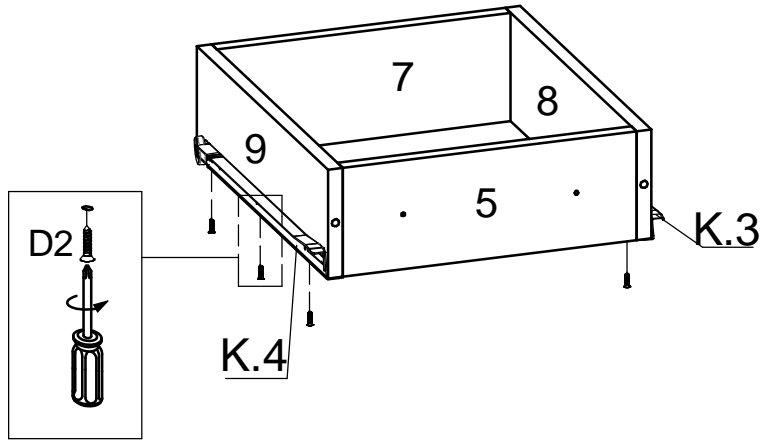
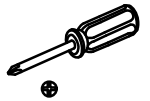
D2 x 12



K.3 x 2



K.4 x 2

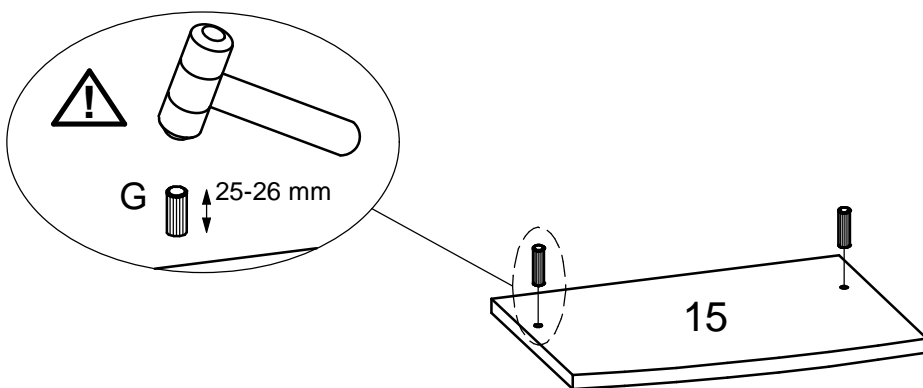
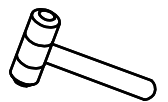


x 2

13



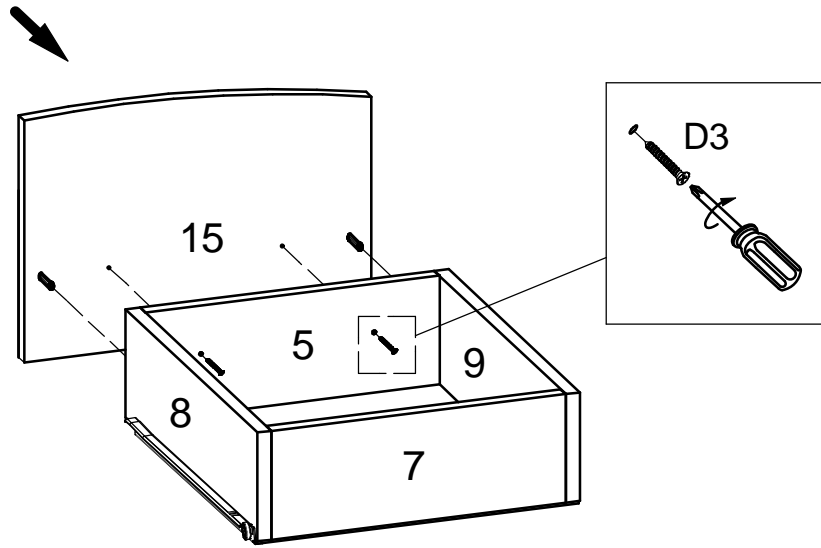
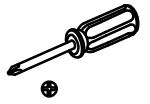
G x 2



14



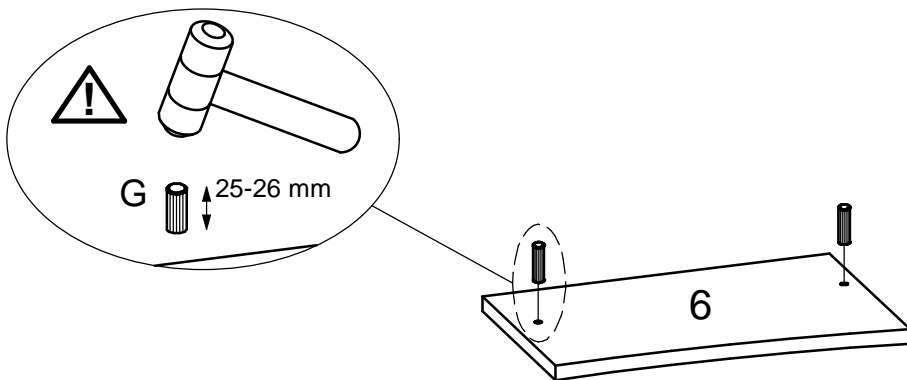
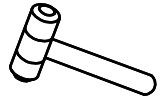
D3 x 2



15



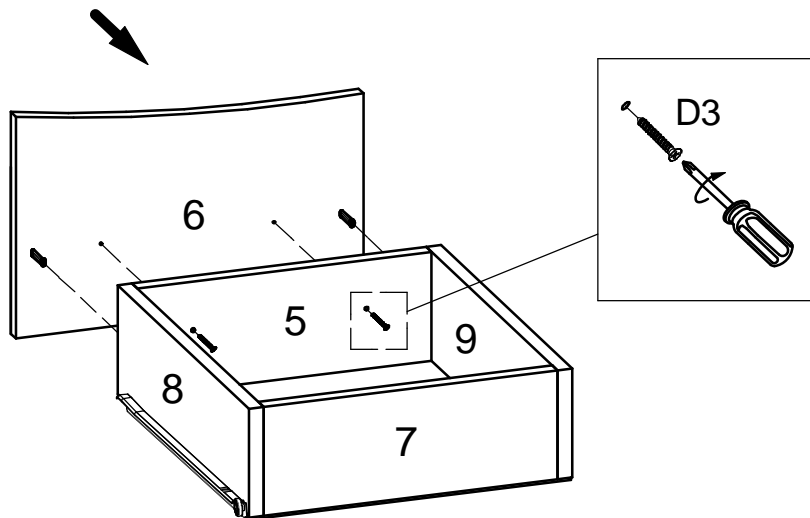
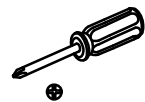
G x 2



16



D3 x 2



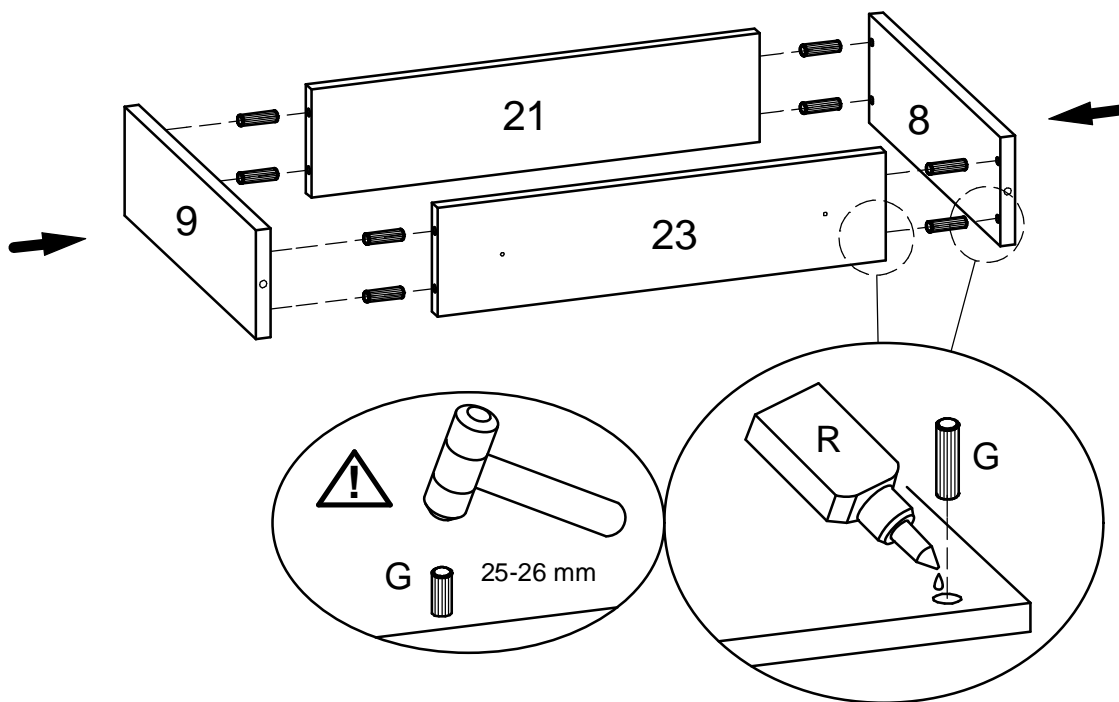
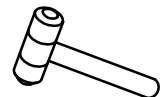
17



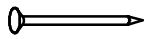
G x 8



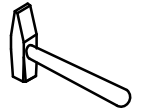
R x 1



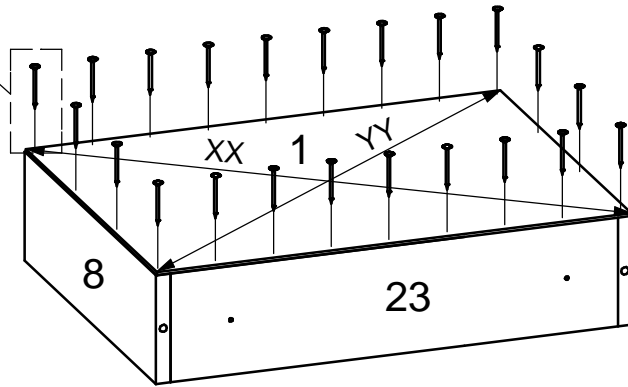
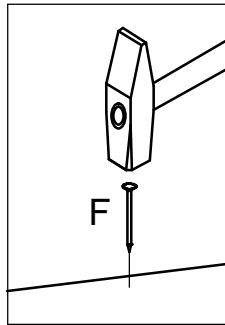
18



F x 24



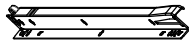
⚠ XX=YY≅90°



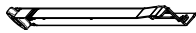
19



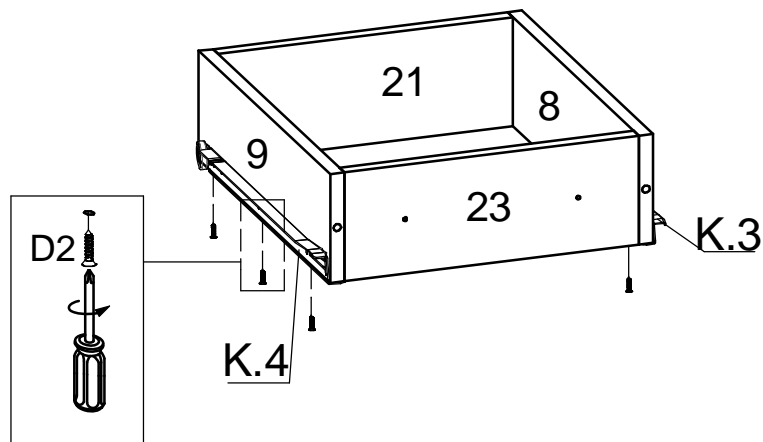
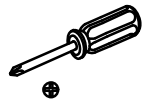
D2 x 6



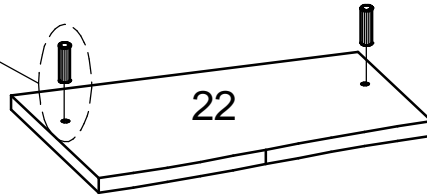
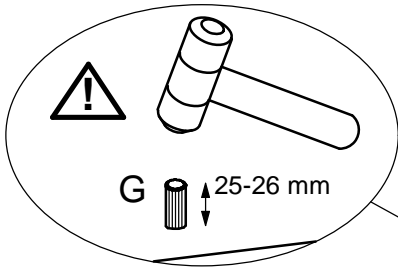
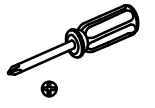
K.3 x 1



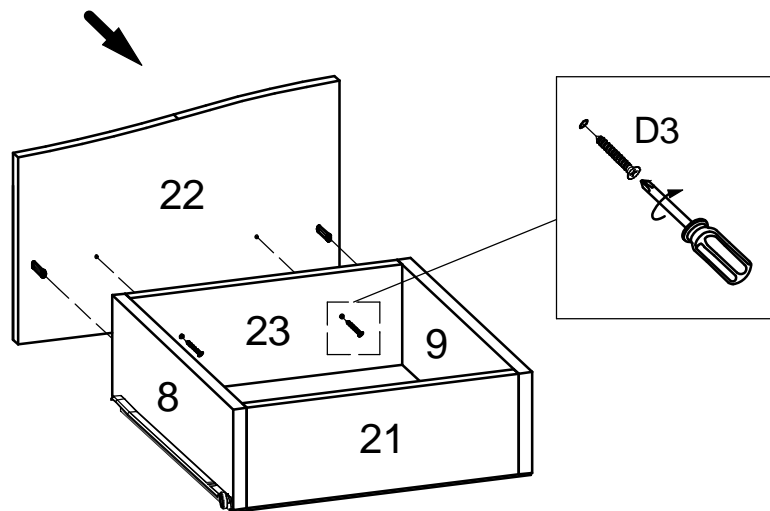
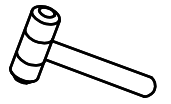
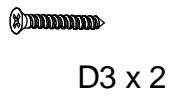
K.4 x 1



20



21



22

